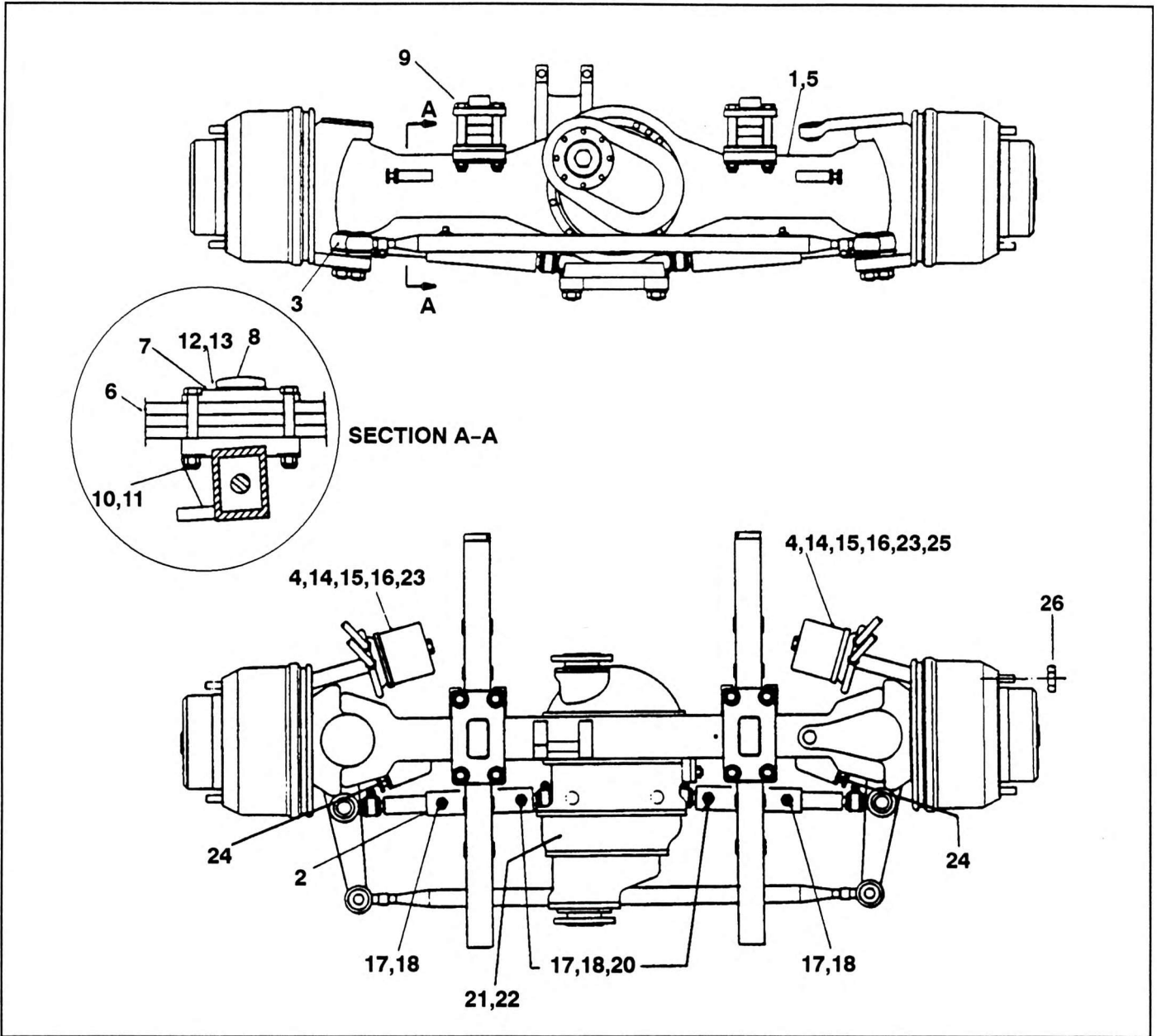


# AXLE 3 DRIVE STEER SUB ASSEMBLY



NO.	PART NO	QTY.	DESCRIPTION	NO.	PART NO	QTY.	DESCRIPTION
1 +	7-049-990302	1	Axle 3 Drive Steer Sprung Suspension	17	7-443-991195	4	Adaptor M18 x 1/2" ORFS
2 +	7-372-990211	2	Cylinder Steering	18	7355304	4	Seal
3	7-364-001407	4	Ball Joint	20	7-447-080835	2	Branch Tee 2 Male ORS
4 +	%	2	Brake Actuator Type 24/83	21	7-443-990964	1	Adaptor 1/4" NPTF x 1/4" Tube
5	7-304-000105	1	Breather - Axle	22	6-443-990030	1	Metric Male NPTF Female
6	7-834-990120	2	Spring Parabolic Leaf	23	7-543-990333	4	Hose Assy
7	6-705-911455	2	Plate Clamp	24	7-126-272350	2	Bolt M20 x 80 Lg
8	9168	2	Buffer	25	7-445-040452	2	45 Deg Elbow Fit to Nearside Actuator Only
9	7-127-293450	8	Bolt M24 x 180	26	7-659-000270	20	Wheel Nut M22 x 1.5
10	7-661-290805	8	Nut Nyloc M24				
11	8597101	8	Washer				
12	7-660-161631	4	Nut Av. Phil. 3/8" UNF				+ See further breakdown in this group
13	7-951-190210	4	Washer Spring M10				% Refer to M.C.I for Part Number
14	7-949-990184	4	Washer Copper 5/8"				
15	8360283	2	Test Point Adaptor				
16	7-888-000033	2	Service Tee				